



Total Solution Provider in Saw Device

FSRS0881H1

CDMA, RF-Rx SAW Filter
Revision 0: June 2006



- Electrical Characteristics
 - Package Dimensions
 - Testing Environment
 - Frequency Characteristics
-

SAWNICS Inc.

460 Cheonheung-ri, Seonggeo-eup, Cheonan-si, Chungcheongnam-do, 330-836 / Korea.
Tel: +82 41 550 9372 / Fax: +82 41 550 9399 / www.sawnics.com

□ Electrical Characteristics

Maximum Ratings

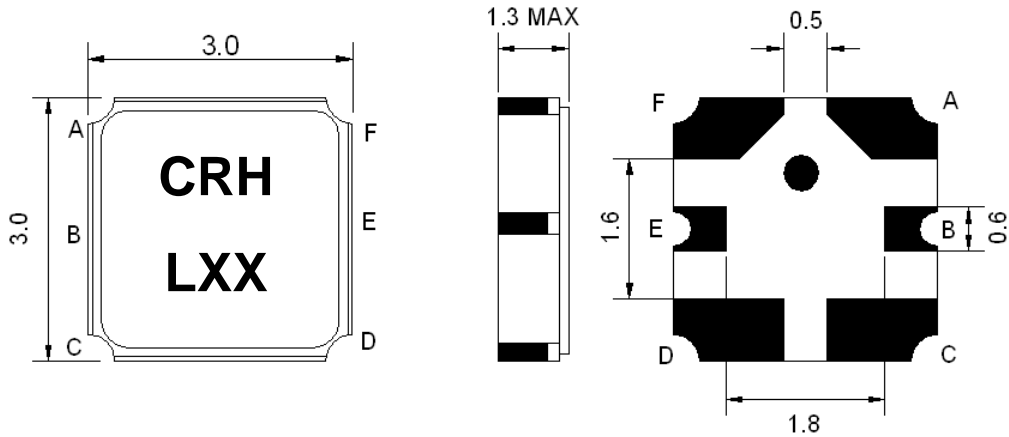
Parameters Description	Unit	Minimum	Typical	Maximum
Operation Temperature Range	°C	- 25	-	+ 75
Storage Temperature Range	°C	- 40	-	+ 85
Maximum DC Voltage	V	-	-	10
Maximum Input Power	dBm	-	-	20
Source Impedance (single ended) ⁽¹⁾	Ω	-	50	-
Load Impedance (single ended) ⁽¹⁾	Ω	-	50	-
Package type & size	H1			
Length x Width	mm ²	-	3.0 x 3.0	-
Height	mm	-	-	1.3

Electrical Specification

Parameters Description	Unit	Minimum	Typical	Maximum
Center Frequency (Fo)	MHz	-	881.5	-
Insertion Loss within 869 ~ 894 MHz	dB	-	2.4	3.5
Amplitude Ripplh within 869 ~ 894 MHz	dB	-	0.6	1.8
Attenuation:				
DC ~ 824 MHz	dB	45	53	-
824 ~ 849 MHz	dB	37	46	-
914 ~ 970 MHz	dB	24	30	-
970 ~ 1049 MHz	dB	50	61	-
1049 ~ 2000 MHz	dB	34	40	-
VSWR within 869 ~ 894 MHz	-	-	1.5	2.0

Notes : (1) No Matching Network .

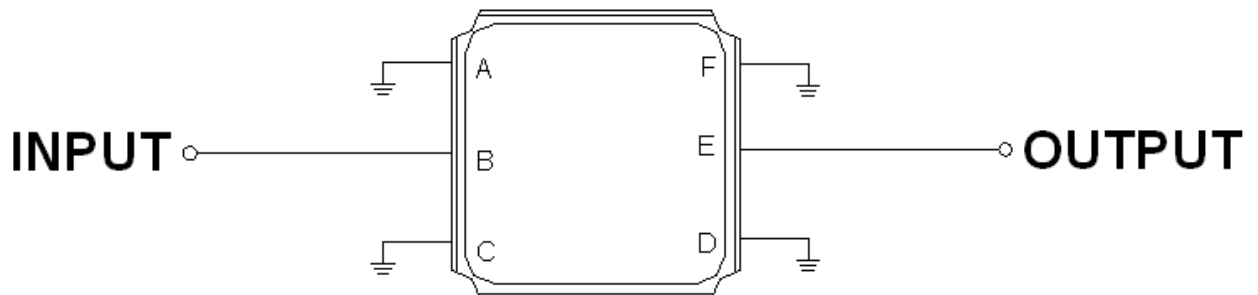
□ Package Dimensions



Marking Descriptions	
C	CDMA Application
R	Rx SAW Filter
H	Version
L	Manufacturer
X	Date Code(Year+Month)
X	Manufacturing Date

Pin Description	
A, C, D, F	Ground
B	In
E	Out

□ Testing Environment



Source & Load Impedance: 50 Ω